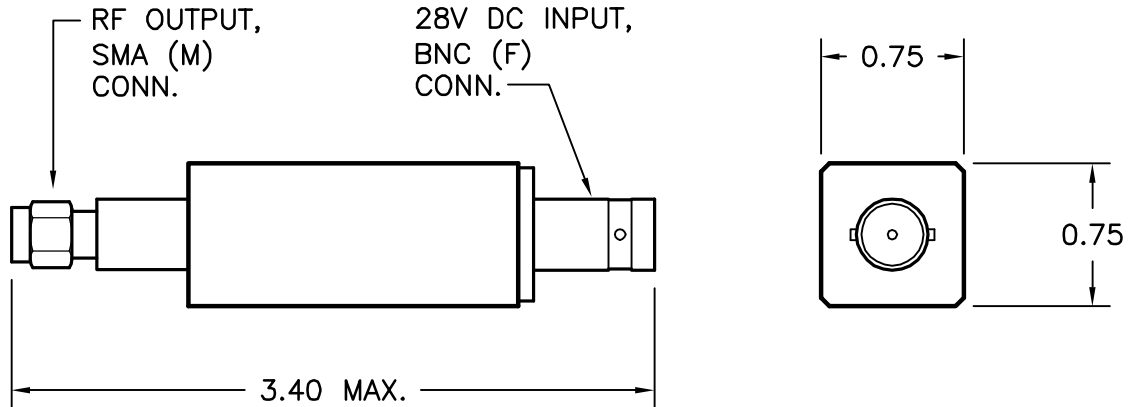
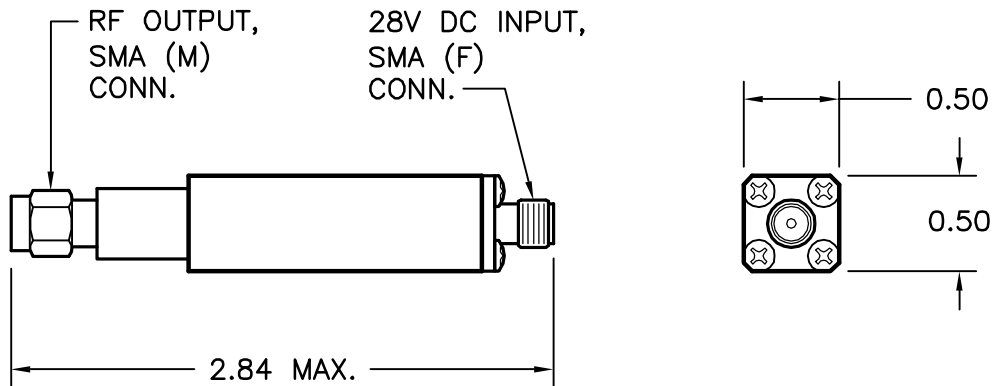


REV. A	DATE 7/19/01	INITIAL RELEASE
REV. B	DATE 4/8/02	X TYPE: RF OUT WAS SMA (F), IS: SMA (M), LENGTH WAS: 3.20, IS: 3.40
REV. C	DATE 12/4/03	REVISED NOTES TO INCLUDE "DC INPUT" & "RF OUTPUT"
REV. D	DATE 11/17/04	NOTES UPDATED: " X, T, & R TYPES" WAS: "X TYPE"; "Y, V, & S TYPES" WAS: "Y TYPE"
REV. E	DATE 11/15/05	NOTES UPDATED, T & V TYPES MOVED TO SEPERATE DWG.



**"R" & "X" TYPES**  
**(15dB OUTPUT)**



**"S" & "Y" TYPES**  
**32dB OUTPUT)**

MATERIAL -	TREATMENT -	DRAWN R. LYNCH	DATE 7/19/01		
FINISH ATM STD. GRAY	MOD NO. SEE ILLUSTR.	CHECKED	DATE		
<b>OUTLINE, MICROWAVE NOISE SOURCE</b>		APPROVED	DATE		
		<small>ADVANCED TECHNICAL MATERIALS, INC. 49 RIDER AVE., PATCHOGUE N.Y. 11772 TEL: (631) 289-0386 FAX: (631) 289-0358 <a href="http://www.atmmicrowave.com">http://www.atmmicrowave.com</a></small>			
<small>UNLESS OTHERWISE NOTED DIMENSIONS ARE IN INCHES TOLERANCES ARE:</small>		<small>FRACTIONS ±1/64</small>	<small>DECIMALS ±.01</small>	<small>ANGLES ±1/2°</small>	<small>SHEET. 1/1</small>
		<small>PROPRIETARY NOTICE: THE INFORMATION IN THIS DRAWING IS PROPRIETARY AND SHALL NOT BE USED OR DISCLOSED WITHOUT THE PRIOR WRITTEN CONSENT OF ATM, INC.</small>	<small>SCALE 1 : 1</small>	<small>DWG. NO. 4246W</small>	<small>REV. E</small>