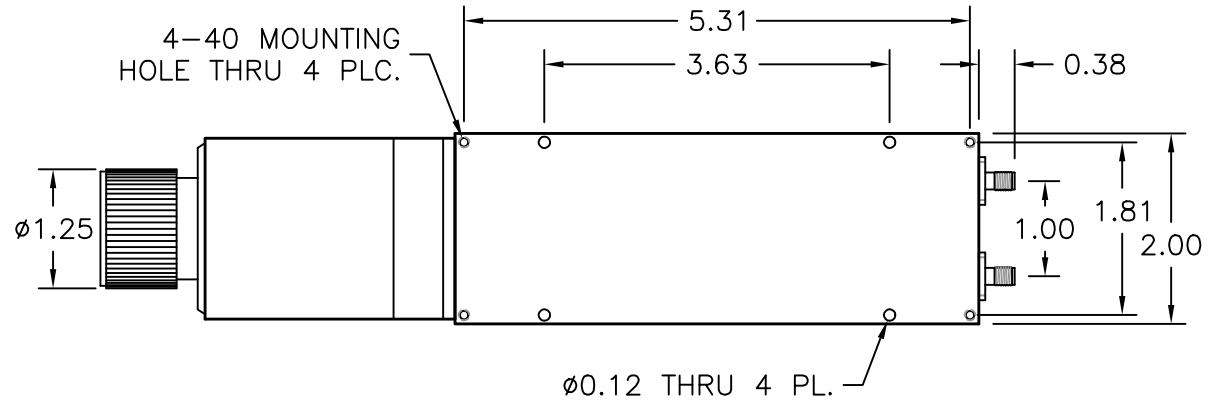
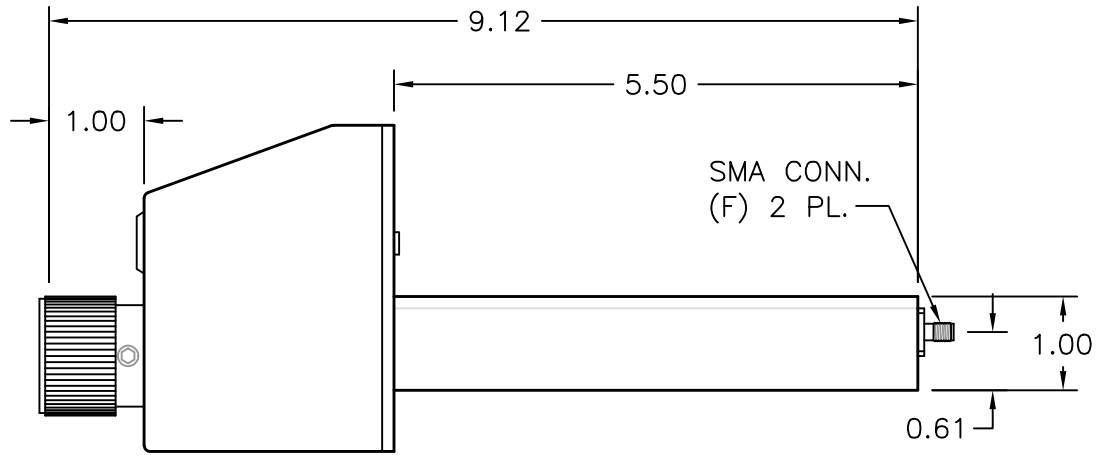
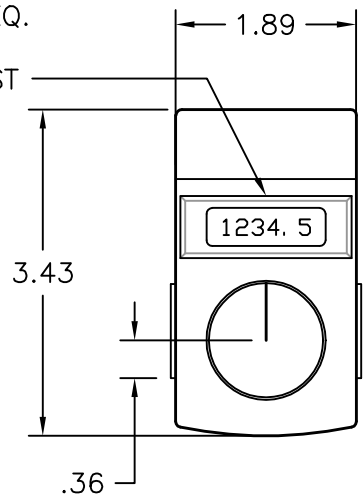

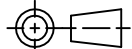


STANDARD MODEL
 SET AT 1 GHz
 OTHER FREQ.
 AVAILABLE
 BY REQUEST



NOTES:

1. ALL MODELS HAVE AN RF POWER RATING OF 100W AVERAGE & 3 KW PEAK
2. DISPLAY UNIT HAS A 5-DIGIT LCD SCREEN WITH A BATTERY LIFE OF APROX. 6 YEARS.

MATERIAL	TREATMENT	DRAWN	DATE	
-	-	R. LYNCH	7/13/01	
FINISH	MOD NO.	CHECKED	DATE	
ATM STD. GRAY	P15DRXX			
5.50" PHASESHIFTER OUTLINE - DIRECT READING DIAL		APPROVED	DATE	
ADVANCED TECHNICAL MATERIALS, INC. 49 RIDER AVE., PATCHOGUE N.Y. 11772 TEL: (631) 289-0386 FAX: (631) 289-0358 http://www.atmmicrowave.com		UNLESS OTHERWISE NOTED DIMENSIONS ARE IN INCHES TOLERANCES ARE:	FRACTIONS ±1/64 DECIMALS ±.01 ANGLES ±1/2°	SHEET.
 PROPRIETARY NOTICE: THE INFORMATION IN THIS DRAWING IS PROPRIETARY AND SHALL NOT BE USED OR DISCLOSED WITHOUT THE PRIOR WRITTEN CONSENT OF ATM, INC.		 SCALE 1 : 2	DWG. NO. 4435W	REV. A