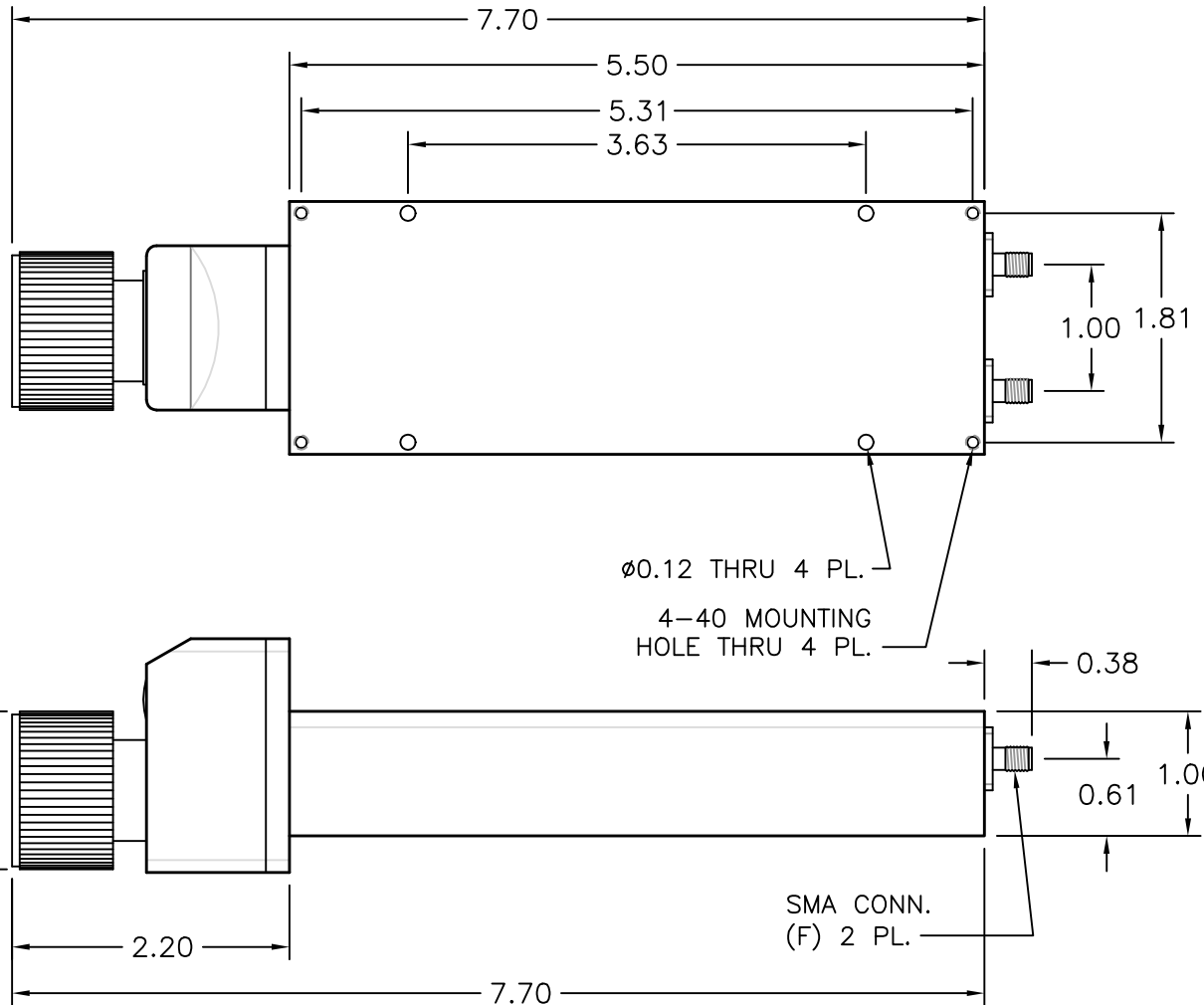
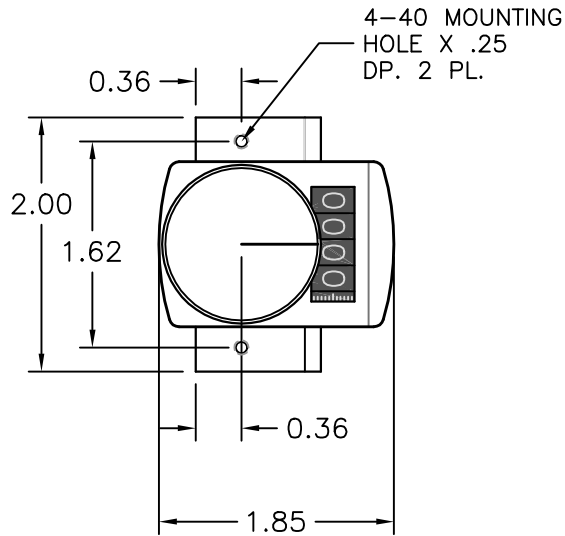

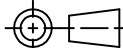


REV. A	DATE MM/DD/YY	INITIAL RELEASE
--------	------------------	--------------------



NOTES:

1. ALL MODELS HAVE AN RF POWER RATING OF 100W AVERAGE & 3 KW PEAK

MATERIAL	TREATMENT	DRAWN	DATE
FINISH	MOD NO.	CHECKED	DATE
5.50" PHASESHIFTER OUTLINE - DIGITAL COUNTING DIAL		APPROVED	DATE
		UNLESS OTHERWISE NOTED DIMENSIONS ARE IN INCHES TOLERANCES ARE:	
ADVANCED TECHNICAL MATERIALS, INC. 49 RIDER AVE., PATCHOGUE N.Y. 11772 TEL: (631) 289-0386 FAX: (631) 289-0358 http://www.atmmicrowave.com		FRACTIONS ±1/64	DECIMALS ±.01 ±.005
 PROPRIETARY NOTICE: THE INFORMATION IN THIS DRAWING IS PROPRIETARY AND SHALL NOT BE USED OR DISCLOSED WITHOUT THE PRIOR WRITTEN CONSENT OF ATM, INC.		ANGLES ±1/2°	1/1
 SCALE 1 : 1.5		DWG. NO. 4434W	REV. A