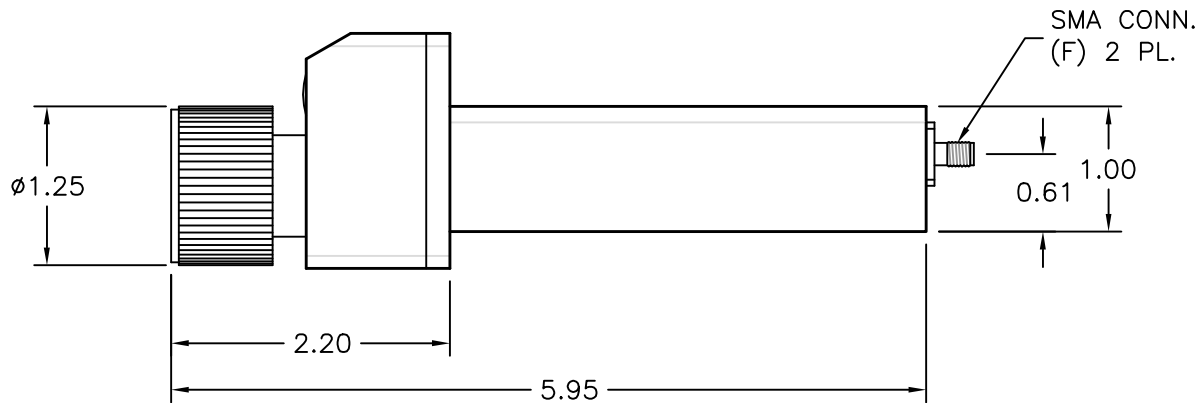
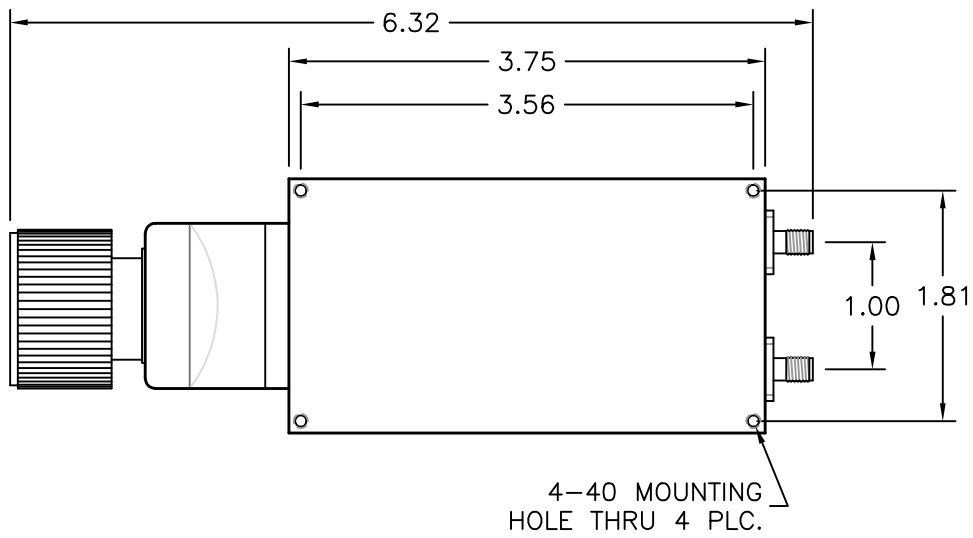
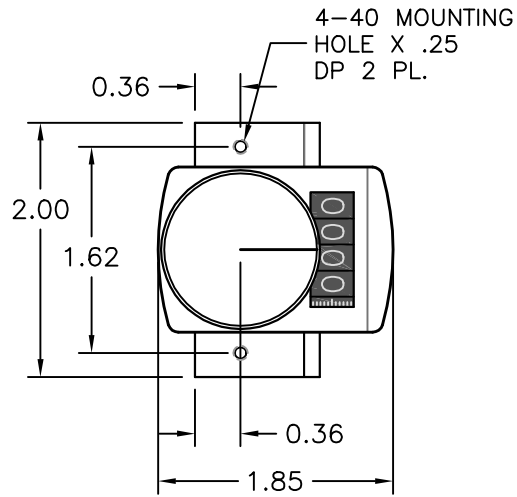

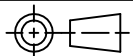


REV.	DATE	INITIAL
A	MM/DD/YY	RELEASE



**NOTES:**

1. ALL MODELS HAVE AN RF POWER RATING OF 100W AVERAGE & 3 KW PEAK

MATERIAL	TREATMENT	DRAWN	R. LYNCH	DATE	7/12/01
FINISH	ATM STD. GRAY	MOD NO.	P140DXX	CHECKED	DATE
<b>3.75" PHASESHIFTER OUTLINE – DIGITAL COUNTING DIAL</b>				APPROVED	DATE
				<small>ADVANCED TECHNICAL MATERIALS, INC. 49 RIDER AVE., PATCHOGUE N.Y. 11772 TEL: (631) 289-0386 FAX: (631) 289-0358 <a href="http://www.atmmicrowave.com">http://www.atmmicrowave.com</a></small>	
 <small>PROPRIETARY NOTICE: THE INFORMATION IN THIS DRAWING IS PROPRIETARY AND SHALL NOT BE USED OR DISCLOSED WITHOUT THE PRIOR WRITTEN CONSENT OF ATM, INC.</small>		<small>SCALE</small> <b>1 : 1.5</b>		<small>DWG. NO.</small> <b>4431W</b>	
				<small>SHEET.</small> <b>1 / 1</b>	
		<small>REV.</small> <b>A</b>			