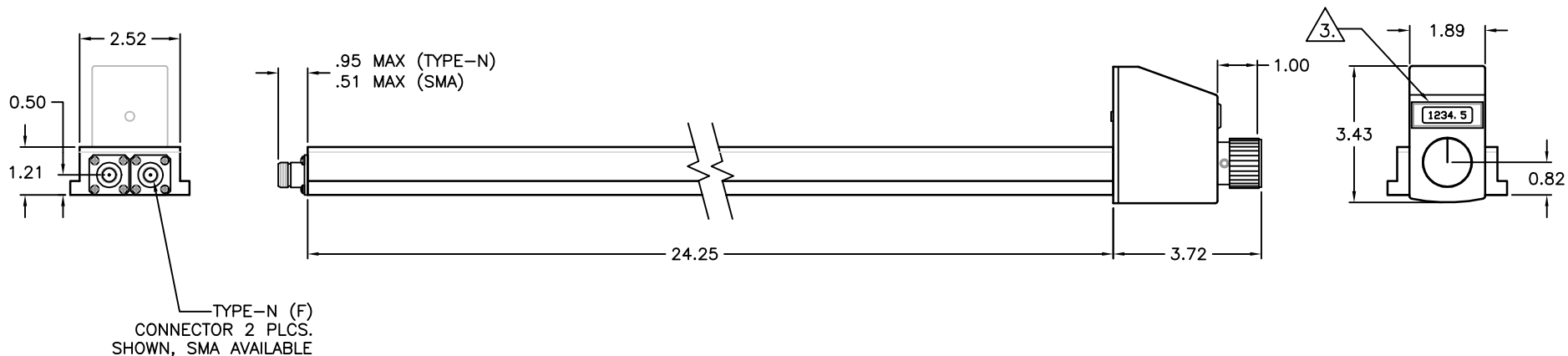
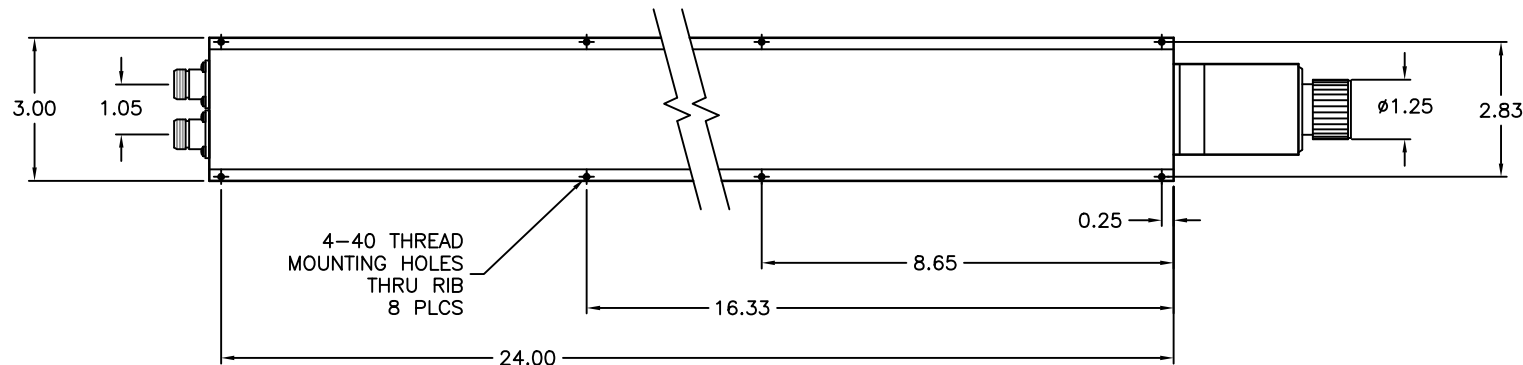

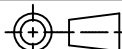


REV. A	DATE MM/DD/YY	INITIAL RELEASE
--------	---------------	-----------------



NOTES:

- ALL MODELS HAVE AN RF POWER RATING OF 100W AVERAGE & 3 KW PEAK.
 - DISPLAY UNIT HAS A 5-DIGIT LCD SCREEN WITH A BATTERY LIFE OF APPROX. 6 YEARS.
3. STANDARD MODEL SET AT 1 GHz, OTHER FREQ. AVAILABLE BY REQUEST.

MATERIAL	TREATMENT	DRAWN	DATE	
-	-	R. LYNCH	7/16/01	
FINISH	MOD NO.	CHECKED	DATE	
ATM STD. GRAY	P11DRXX, P21DRXX			
24" PHASESHIFTER OUTLINE - DIRECT READING DIAL		APPROVED	DATE	
ADVANCED TECHNICAL MATERIALS, INC. 49 RIDER AVE., PATCHOGUE N.Y. 11772 TEL: (631) 289-0386 FAX: (631) 289-0358 http://www.atmmicrowave.com		UNLESS OTHERWISE NOTED DIMENSIONS ARE IN INCHES TOLERANCES ARE:	FRACTIONS ±1/64 DECIMALS ±.01 ANGLES ±1/2°	SHEET.
 PROPRIETARY NOTICE: THE INFORMATION IN THIS DRAWING IS PROPRIETARY AND SHALL NOT BE USED OR DISCLOSED WITHOUT THE PRIOR WRITTEN CONSENT OF ATM, INC.		 SCALE 1 : 4	DWG. NO. 4443W	REV. A