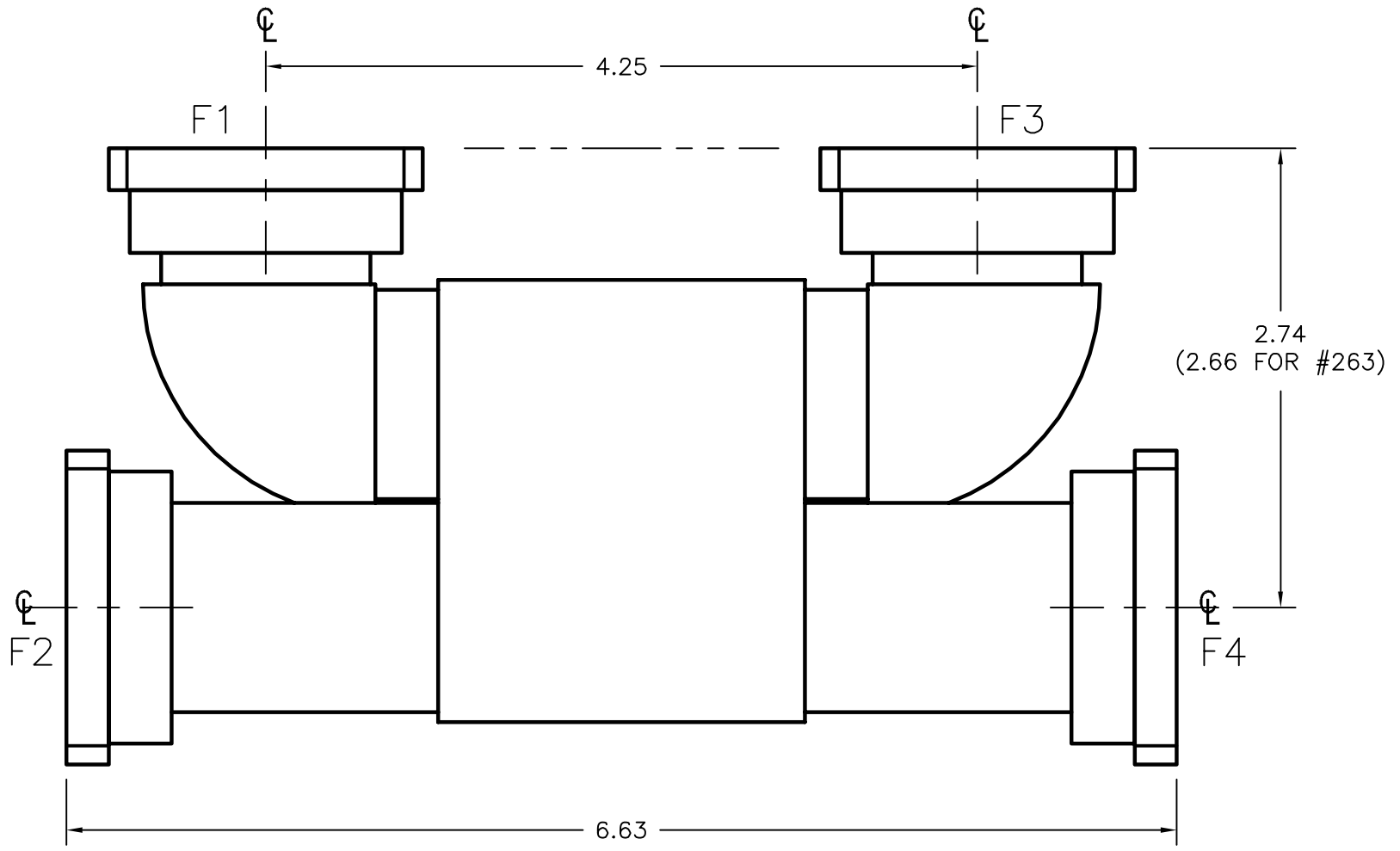


REV A	AUTH JLE	DATE 10/16/02	INITIAL RELEASE
REV B	AUTH RL	DATE 10/28/06	FREQ. NOTES CORRECTED; ILLUSTRATION, FORMAT UPDATED.



FLANGE TYPE
1 = CPRG
2 = CPRF
3 = CMR STANDARD
4 = CMR CLEAR
5 = CMR TAP
6 = UG COVER
7 = UG CHOKE
8 = COVER-GRV.

FREQUENCY	MODEL
6.90-8.00 GHz	112-261X-Z-F1-F2-F3-F4
7.90-9.00 GHz	112-262X-Z-F1-F2-F3-F4
8.80-10.25 GHz	112-263X-Z-F1-F2-F3-F4
7.50-8.50 GHz	112-264A-Z-F1-F2-F3-F4

NOTE: REPLACE "F1, F2, F3, & F4" NOTATION WITH NUMBER CORRESPONDING TO FLANGE TYPE DESIRED, AS SHOWN ON TABLE ABOVE.

THIRD ANGLE PROJECTION:		APPROVALS	DATE	ADVANCED TECHNICAL MATERIALS, INC. TEL: (631) 289-0363 FAX: (631) 289-0358 www.atmmicrowave.com	<small>THE INFORMATION IN THIS DRAWING IS PROPRIETARY AND SHALL NOT BE USED OR DISCLOSED WITHOUT THE PRIOR WRITTEN CONSENT OF ATM, INC. DO NOT SCALE DWG.</small>		
UNLESS OTHERWISE NOTED, DIMENSIONS ARE IN INCHES, TOLERANCES ARE: FRACTIONS: $\pm 1/64$ ANGLES: $\pm 1/2^\circ$		DRAWN JLE	10/16/02				
BASIC DIMENSION	DECIMALS 2 PLACE	3 PLACE	APRVD.	OUTLINE, WR112 'Z'-STYLE COMBINER-DIVIDER (HYBRID-COUP.)			
UNDER 6"	± 0.02	± 0.005	MATERIAL PER ORDER				
6" - 12"	± 0.03	± 0.010	TREATMENT -				
OVER 12"	± 0.06	± 0.015	FINISH ATM STD. GRAY	SIZE A	CAGE CODE 0R8N4	ATM DWG # 5229W	REVISION B
				SCALE 1 : 1	MODEL # SEE NOTES	SHEET 1/1	