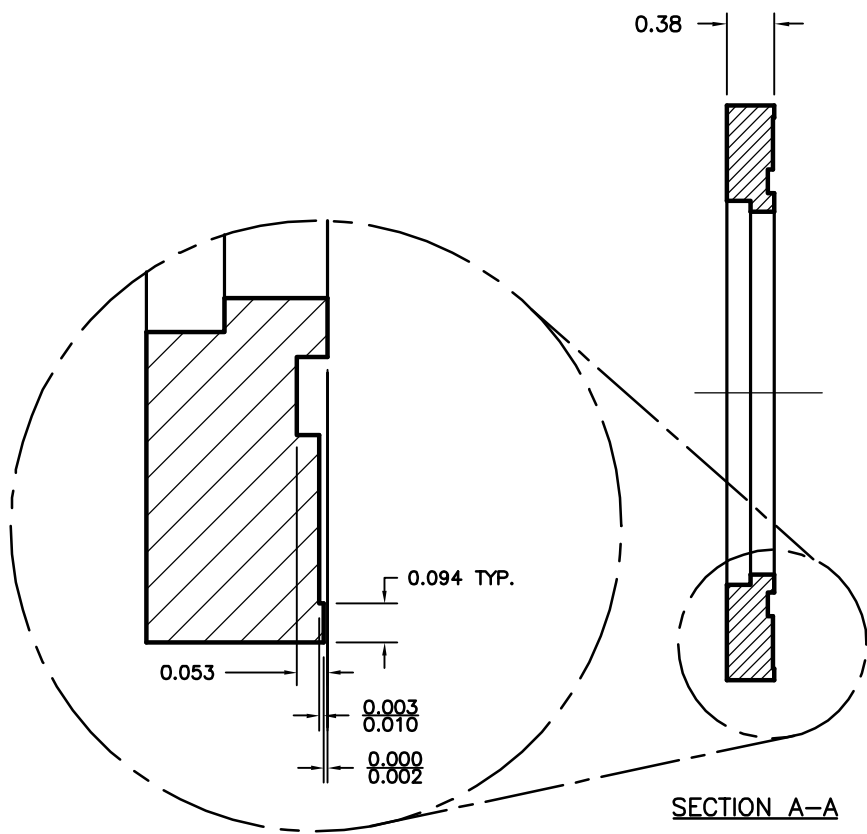
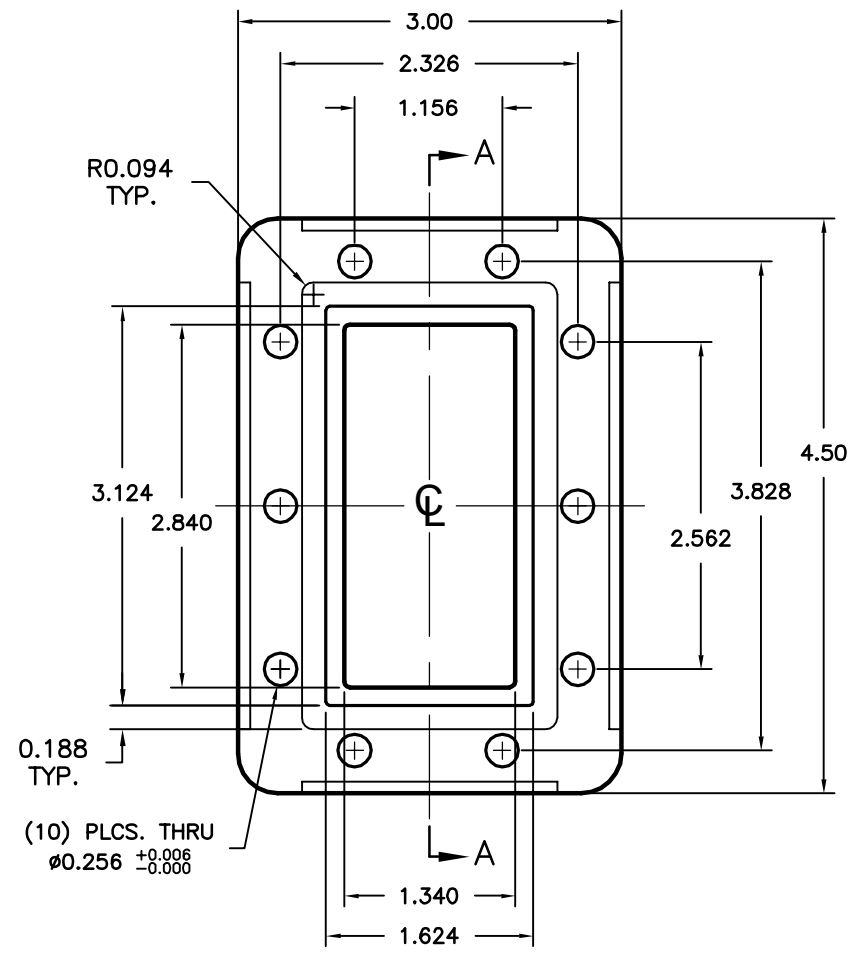


EQUIVALENT TO;	
TYPE	MATERIAL
UG 1349/U	ALUMINUM
UG 1348/U	BRASS

REV. -	AUTH. RL	DATE 1/21/05	INITIAL RELEASE	APPROVED
REV. A	AUTH. RL	DATE 02/07/06	DIMENSIONAL ERROR CORRECTED	APPROVED



DETAIL B
NOTE: NOT TO SCALE



NOTES:
1. ALL DRAWINGS INDICATE APPLICABLE MATING DIMENSIONS. NON INTERFACE VARIABLES SUCH AS THICKNESS, CORRAL DIMENSIONS, AND MATERIALS MAY VARY DEPENDING ON PRODUCT CONFIGURATION.

MATERIAL SEE NOTES	TREATMENT -	DRAWN RL	DATE 1/21/05
FINISH -	MOD. NO. -	CHECKED	DATE
WR284 FLANGE, STANDARD CPR284G		APPROVED	DATE
		CAGE CODE: OR8N4	DO NOT SCALE DWG
ADVANCED TECHNICAL MATERIALS, INC. 49 RIDER AVE., PATCHOGUE N.Y. 11772 TEL: (631) 289-0363 FAX: (631) 289-0358 http://www.atmmicrowave.com		UNLESS OTHERWISE NOTED DIMENSIONS ARE IN INCHES TOLERANCES ARE:	FRACTIONS ±1/64 DECIMALS ±.03 ANGLES ±1/2°
PROPRIETARY NOTICE: THE INFORMATION IN THIS DRAWING IS PROPRIETARY AND SHALL NOT BE USED OR DISCLOSED WITHOUT THE PRIOR WRITTEN CONSENT OF ATM, INC.		SCALE N.T.S.	DWG. NO. 7104W REV. A

SHEET.
1/1