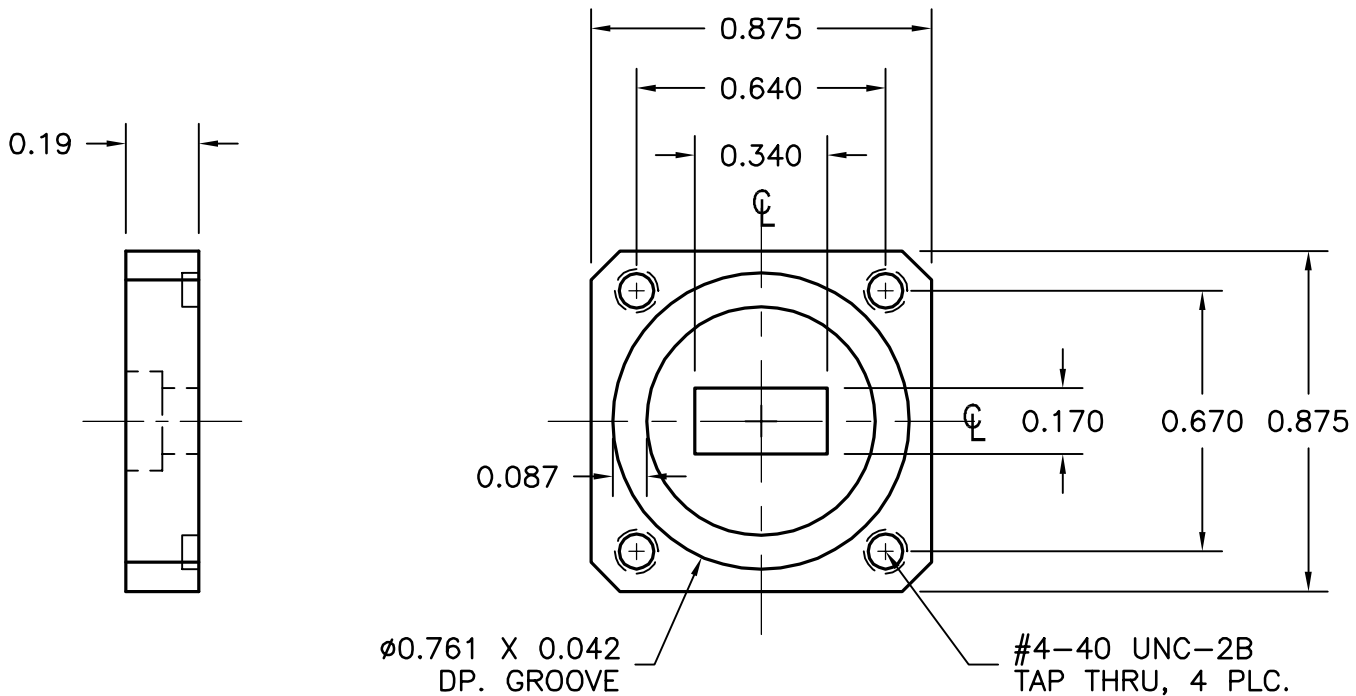


REV A	AUTH RL	DATE 06/07/07	INITIAL RELEASE
-----------------	-------------------	-------------------------	-----------------



THIRD ANGLE PROJECTION:		APPROVALS	DATE		ADVANCED TECHNICAL MATERIALS, INC. TEL: (631) 289-0363 FAX: (631) 289-0358 www.atmmicrowave.com		THE INFORMATION IN THIS DRAWING IS PROPRIETARY AND SHALL NOT BE USED OR DISCLOSED WITHOUT THE PRIOR WRITTEN CONSENT OF ATM INC. DO NOT SCALE DWG.
UNLESS OTHERWISE NOTED, DIMENSIONS ARE IN INCHES, TOLERANCES ARE: FRACTIONS: $\pm 1/64$ ANGLES: $\pm 1/2^\circ$		DRAWN RL	06/07/07		WR34 FLANGE, COVER-GROOVE		
BASIC DIMENSION	DECIMALS 2 PLACE 3 PLACE	CHKD.	APRVD.	SIZE A			CAGE CODE 0R8N4
UNDER 6"	± 0.02 ± 0.005	MATERIAL PER ORDER		SCALE 1 : 1	MODEL # -		
6" - 12"	± 0.03 ± 0.010	TREATMENT -					
OVER 12"	± 0.06 ± 0.015	FINISH -					