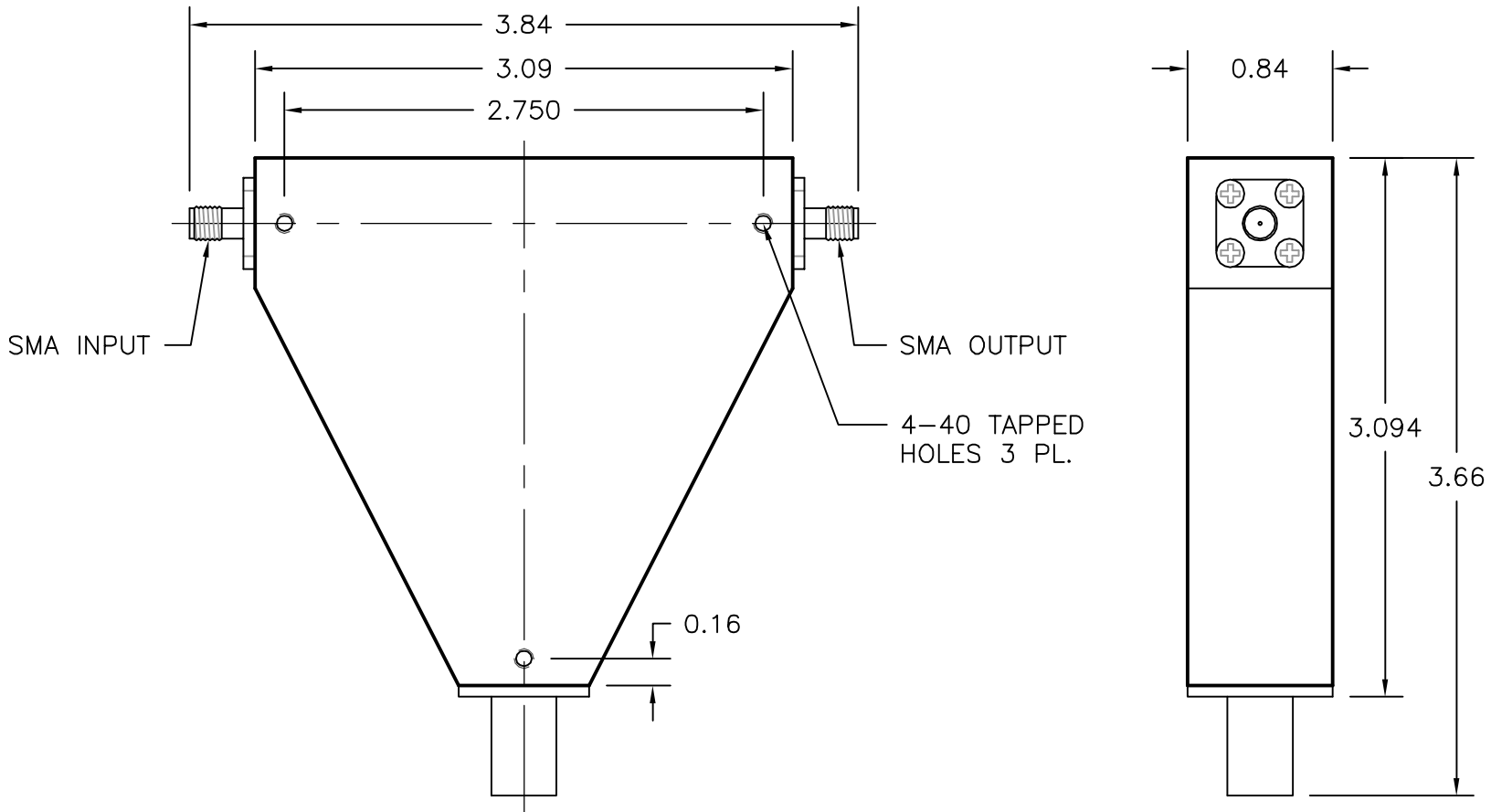


REV. A	DATE 10/23/01	INITIAL RELEASE	APPROVED
REV. B	DATE 10/18/04	NOTES FOR SMA INPUT, OUTPUT CONN. ADDED	



MODEL NUMBER: ATI 1-2
ELEC. SPECS.

FREQUENCY RANGE	1-2 GHz
INSERTION LOSS	0.4 dB (MAX.)
ISOLATION LOSS	20 dB (MIN.)
VSWR	1.25:1 (MAX.)
AVG. FOWARD POWER	75 WATT
PEAK FOWARD POWER	200 WATT
LOAD POWER	1 WATT

MATERIAL	-	TREATMENT	-	DRAWN	R. LYNCH	DATE	10/23/01
FINISH	-	MOD NO.	ATI-1-2	CHECKED		DATE	
BROADBAND COAXIAL ISOLATOR				APPROVED		DATE	
				<small>ADVANCED TECHNICAL MATERIALS, INC. 49 RIDER AVE., PATCHOGUE N.Y. 11772 TEL: (631) 289-0386 FAX: (631) 289-0358 http://www.atmmicrowave.com</small>			
<small>UNLESS OTHERWISE NOTED DIMENSIONS ARE IN INCHES TOLERANCES ARE:</small>				<small>FRACTIONS</small> $\pm 1/64$	<small>DECIMALS</small> $\pm .01$ $\pm .005$	<small>ANGLES</small> $\pm 1/2^\circ$	<small>SHEET.</small> 1/1
<small>PROPRIETARY NOTICE: THE INFORMATION IN THIS DRAWING IS PROPRIETARY AND SHALL NOT BE USED OR DISCLOSED WITHOUT THE PRIOR WRITTEN CONSENT OF ATM, INC.</small>				<small>SCALE</small> 1 : 1	<small>DWG. NO.</small> 4659	<small>REV.</small> B	