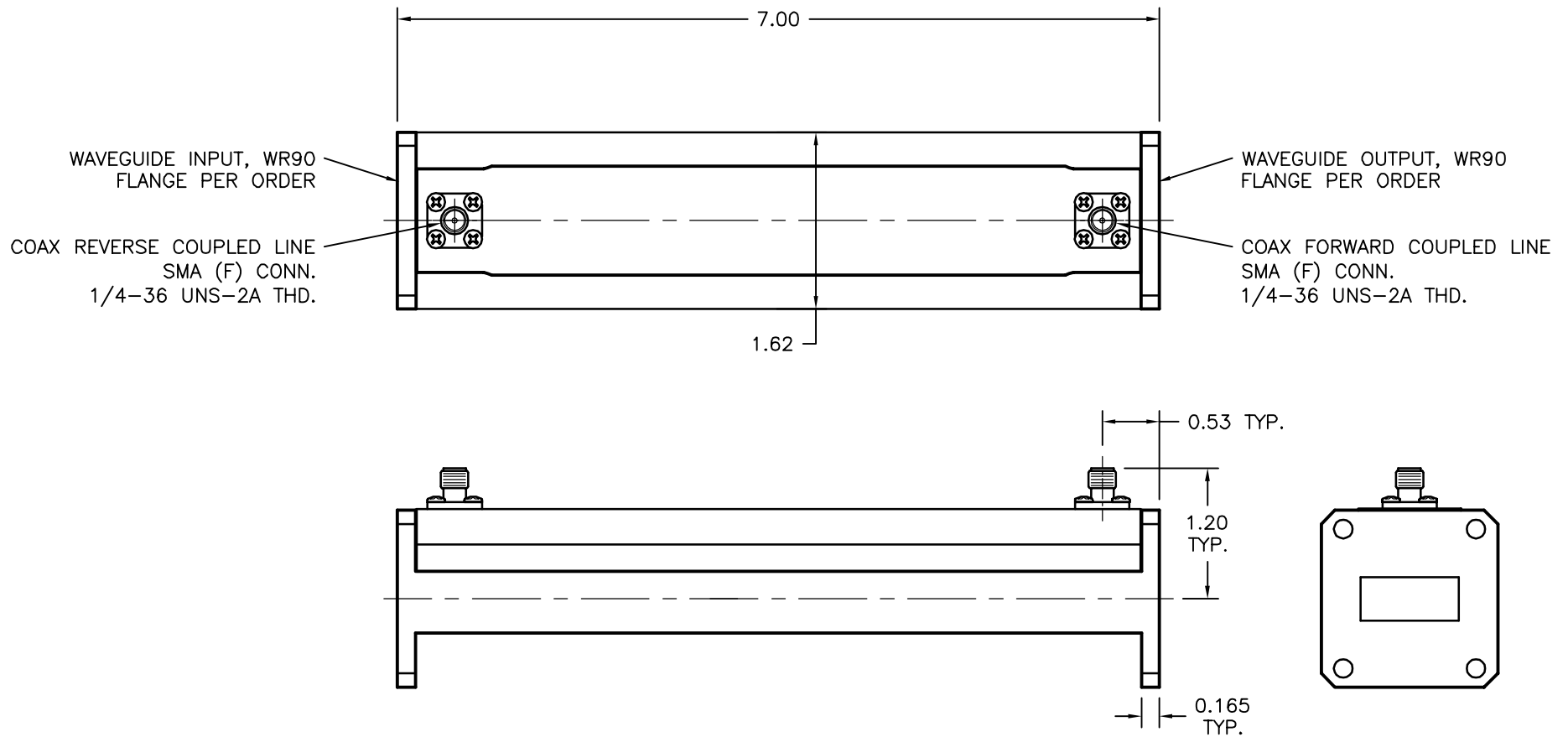


REV	AUTH	DATE	INITIAL RELEASE
-	RL	12/15/06	



### PERFORMANCE SPECIFICATIONS

COUPLING:	30,40, AND 50dB
COUPLING ACCURACY:	±0.5dB
FREQUENCY SENSITIVITY:	±0.5dB
DIRECTIVITY:	25MIN, 30 TYPICAL
VSWR:	
THROUGH LINE	1.05
COUPLED LINE (COAXIAL)	1.25
FREQ. RANGE:	8.16 - 9.84 GHz

THIRD ANGLE PROJECTION:		APPROVALS	DATE	<b>ADVANCED TECHNICAL MATERIALS, INC.</b> TEL: (631) 289-0363 FAX: (631) 289-0358 www.atmmicrowave.com		<small>THE INFORMATION IN THIS DRAWING IS PROPRIETARY AND SHALL NOT BE USED OR DISCLOSED WITHOUT THE PRIOR WRITTEN CONSENT OF ATM, INC. DO NOT SCALE DWG.</small>			
UNLESS OTHERWISE NOTED, DIMENSIONS ARE IN INCHES, TOLERANCES ARE: FRACTIONS: ±1/64 ANGLES: ±1/2°		DRAWN <b>RL</b>	12/15/06						
		BASIC DIMENSION		DECIMALS		APRVD.			
		2 PLACE	3 PLACE						
UNDER 6"		±.02	±.005	MATERIAL <b>PER ORDER</b>		SIZE <b>A</b>	CAGE CODE 0R8N4	ATM DWG # <b>6978W</b>	REVISION -
6" - 12"		±.03	±.010	TREATMENT -		SCALE <b>1 : 1</b>	MODEL # <b>90-331DA-XXF-XXR-X-X</b>	SHEET <b>1/1</b>	
OVER 12"		±.06	±.015	FINISH <b>ATM STD. GREY</b>					