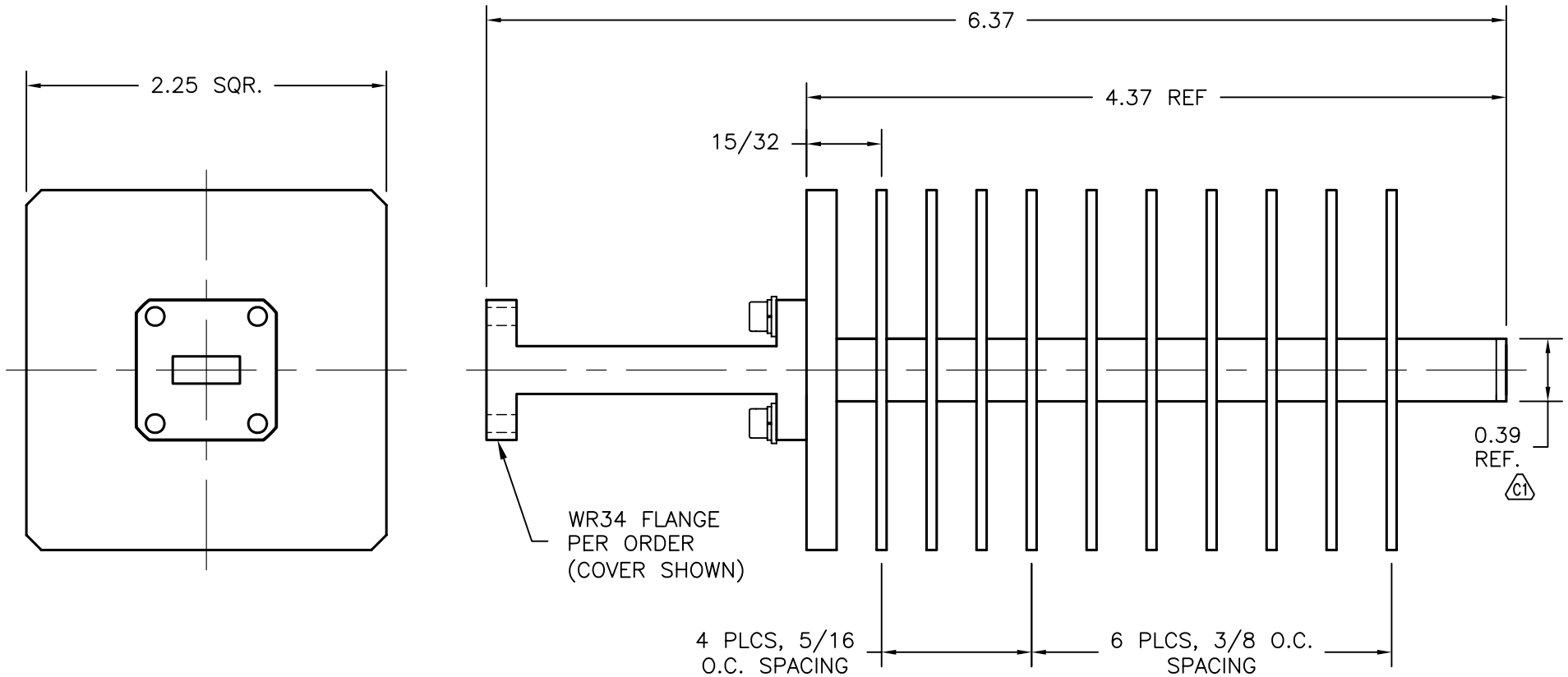


REV A	AUTH M.R.	DATE 11/05/09	INITIAL RELEASE
REV B	AUTH M.R.	DATE 2/12/10	ADDED FIN SPACING DIMS
REV C	AUTH M.R.	DATE 4/8/10	ADDED 0.39 REF. DIMENSION (C1)



**PERFORMANCE SPECIFICATIONS**

MODEL CODE: 34-760-FLANGE TYPE\*  
 WG SIZE: WR34 ALUM.  
 FREQ. RANGE: 22-33 GHz  
 POWER: 700W AVG.  
 MAX. VSWR: 1.15 MAX.  
 FLANGE TYPE: SEE TABLE

*ATM MODEL # DESIGNATION FOR COMMON FLANGE TYPES	
6	= UG COVER
7	= UG CHOKE
8	= UG COVER GROOVE

THIRD ANGLE PROJECTION:		APPROVALS	DATE	<b>ADVANCED TECHNICAL MATERIALS, INC.</b> TEL: (631) 289-0363 FAX: (631) 289-0358 www.atmmicrowave.com		<small>THE INFORMATION IN THIS DRAWING IS PROPRIETARY AND SHALL NOT BE USED OR DISCLOSED WITHOUT THE PRIOR WRITTEN CONSENT OF ATM, INC. DO NOT SCALE DWG.</small>			
UNLESS OTHERWISE NOTED, DIMENSIONS ARE IN INCHES, TOLERANCES ARE: FRACTIONS: ±1/64 ANGLES: ±1/2°		DRAWN M.R.	11/05/09						
BASIC DIMENSION		CHKD.	APRVD.	<b>OUTLINE</b> <b>WR34 VHP TERMINATION</b>		SIZE A	CAGE CODE 0R8N4	ATM DWG # 9957	REVISION C
UNDER 6"	±.02 ±.005	MATERIAL ALUMINUM				SCALE 1 : 1	MODEL # 34-760-X	SHEET 1/1	
6" - 12"	±.03 ±.010	TREATMENT CHEM FILM							
OVER 12"	±.06 ±.015	FINISH HI-TEMP BLACK							