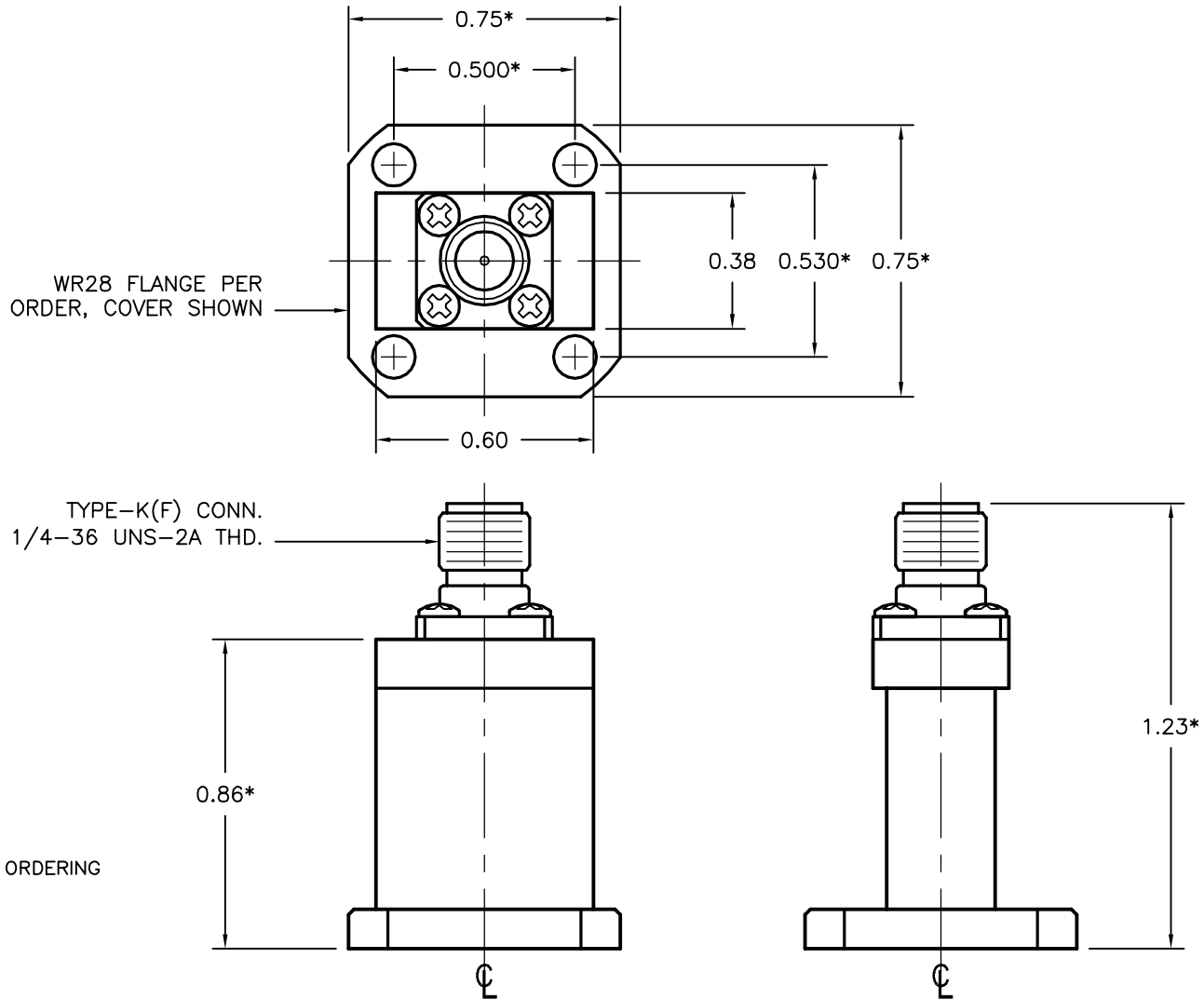


REV A	AUTH RL	DATE 10/4/07	INITIAL RELEASE
----------	------------	-----------------	-----------------



\*NOTE: DIMENSION MAY CHANGE IF ORDERING NON-STANDARD FLANGE TYPE

**MODEL SPECIFICATIONS**

**MECHANICAL**

MODEL NUMBER: 28-20KX-X  
 W/G SIZE: WR28  
 MATERIAL: PER ORDER  
 BODY: STAINLESS STEEL  
 CONNECTORS: UNIQUE CORROSION RESISTANT  
 FINISH: 316 STAINLESS STEEL EPOXY COATING  
 FLANGES: PER ORDER, COVER TYPE SHOWN

**ELECTRICAL**

FREQ. RANGE: 26.5 - 40.0 GHz  
 POWER: 10W CONTINUOUS, 1KW PEAK  
 VSWR: 1.25 MAX.

THIRD ANGLE PROJECTION:		APPROVALS	DATE	<b>ADVANCED TECHNICAL MATERIALS, INC.</b> TEL: (631) 289-0363 FAX: (631) 289-0358 www.atmmicrowave.com		<small>THE INFORMATION IN THIS DRAWING IS PROPRIETARY AND SHALL NOT BE USED OR DISCLOSED WITHOUT THE PRIOR WRITTEN CONSENT OF ATM, INC. DO NOT SCALE DWG.</small>			
UNLESS OTHERWISE NOTED, DIMENSIONS ARE IN INCHES, TOLERANCES ARE: FRACTIONS: ±1/64 ANGLES: ±1/2°		DRAWN RL	10/04/07						
BASIC DIMENSION	DECIMALS 2 PLACE 3 PLACE	APRVD.		<b>OUTLINE, WR28 ENDLAUNCH ADAPTER, TYPE-K</b>		SIZE A	CAGE CODE OR8N4	ATM DWG # 8174	REVISION A
UNDER 6"	±.02 ±.005	MATERIAL PER ORDER				SCALE 2 : 1	MODEL # 28-20KX-X	SHEET 1/1	
6" - 12"	±.03 ±.010	TREATMENT -							
OVER 12"	±.06 ±.015	FINISH SEE NOTES							