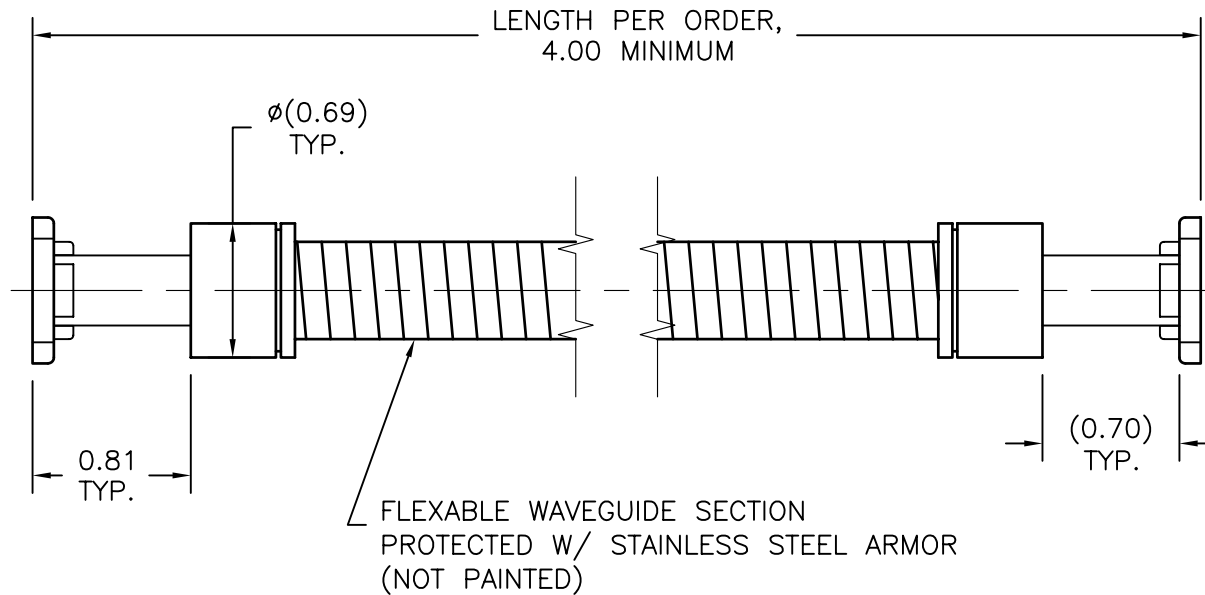


REV A	AUTH M.R.	DATE 7/24/09	INITIAL RELEASE
----------	--------------	-----------------	-----------------



MODEL SPECIFICATIONS

MECHANICAL

MODEL NUMBER: 28-124RA-X-X-X

MATERIAL:

WAVEGUIDE/FLANGES: BRASS/COPPER
ARMORED SECTION: STAINLESS STEEL

FINISH:

WAVEGUIDE SECTIONS: UNIQUE CORROSION RESISTANT
316 STAINLESS STEEL EPOXY COATING
NO PAINT

ARMORED SECTION:

PER ORDER, COVER TYPE STANDARD

FLANGES:

THIRD ANGLE PROJECTION:		APPROVALS	DATE	ADVANCED TECHNICAL MATERIALS, INC. TEL: (631) 289-0363 FAX: (631) 289-0358 www.atmmicrowave.com		<small>THE INFORMATION IN THIS DRAWING IS PROPRIETARY AND SHALL NOT BE USED OR DISCLOSED WITHOUT THE PRIOR WRITTEN CONSENT OF ATM, INC. DO NOT SCALE DWG.</small>			
UNLESS OTHERWISE NOTED, DIMENSIONS ARE IN INCHES, TOLERANCES ARE: FRACTIONS: $\pm 1/64$ ANGLES: $\pm 1/2^\circ$		DRAWN M.R.	07/24/09						
		CHKD.		APRVD.		FLEX WAVEGUIDE ASSEM WITH ARMORED SECTION			
BASIC DIMENSION	DECIMALS 2 PLACE 3 PLACE	MATERIAL PER ORDER		SIZE A	CAGE CODE OR8N4			ATM DWG # 9938	REVISION A
UNDER 6"	$\pm .02$ $\pm .005$	TREATMENT CHEM FILM		SCALE 1 : 1	MODEL # 28-124RA-X-X-X			SHEET 1/1	
6" - 12"	$\pm .03$ $\pm .010$	FINISH SEE NOTES							
OVER 12"	$\pm .06$ $\pm .015$								