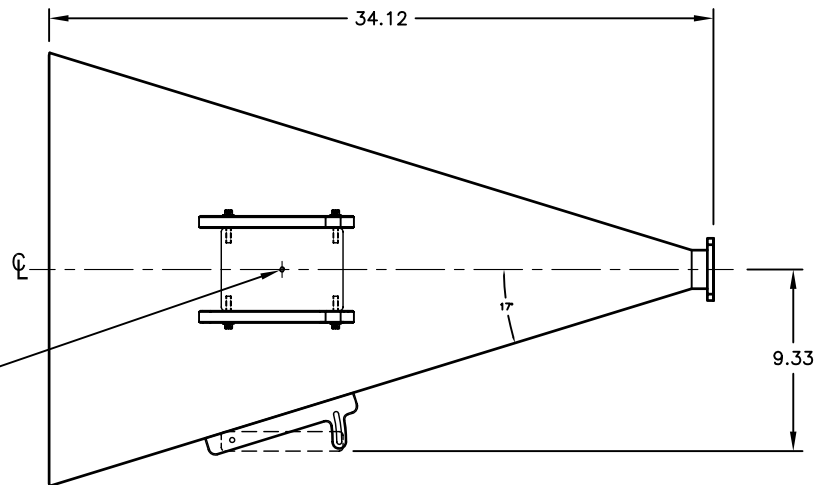
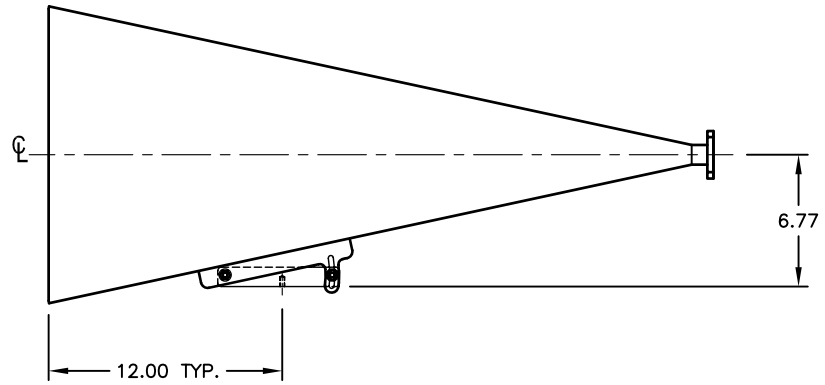
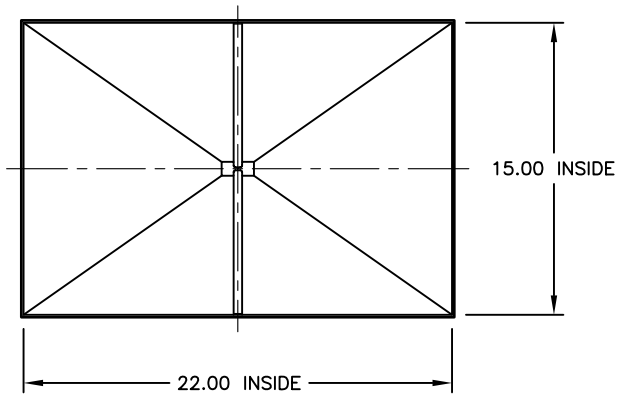


REV -	AUTH RL	DATE 03/30/07	INITIAL RELEASE
REV A	AUTH BF	DATE 4-2-09	34.12 WAS 33.40, ADDED 1.12 NECK
REV B	AUTH M.R.	DATE 12/11/09	MOUNT LOCATION CORRECTED, WAS 13.42



1/4-20 x 1 PLC.
(1 MOUNTING BLOCK PER ASSY.)

MODEL SPECIFICATIONS

MECHANICAL

MODEL NUMBER: 250-442-XX
 MATERIAL: 6061/T-6 ALUM.
 FINISH: UNIQUE CORROSION RESISTANT
 316 STAINLESS STEEL EPOXY COATING
 FLANGE: C2 (ALL TAPPED). SEE ATM WEBSITE
 FOR MORE POSSIBLE OPTIONS

ELECTRICAL

FREQ. RANGE: 2.5 - 7.5 GHz
 GAIN: 18-20 dB (LOW TO HIGH FREQ.)
 VSWR: 1.60 MAX.

THIRD ANGLE PROJECTION:		APPROVALS	DATE			ADVANCED TECHNICAL MATERIALS, INC. TEL: (631) 289-0363 FAX: (631) 289-0358 www.atmmicrowave.com		THE INFORMATION IN THIS DRAWING IS PROPRIETARY AND SHALL NOT BE USED OR DISCLOSED WITHOUT THE PRIOR WRITTEN CONSENT OF ATM, INC. DO NOT SCALE DWG.	
UNLESS OTHERWISE NOTED, DIMENSIONS ARE IN INCHES, TOLERANCES ARE: FRACTIONS: ±1/64 ANGLES: ±1/2°				DRAWN RL	03/30/07	OUTLINE, WRD250 HORN ANTENNA, 18-20dB			
				CHKD.					
BASIC DIMENSION	DECIMALS 2 PLACE 3 PLACE		APRVD.	MATERIAL ALUM.		SIZE A	CAGE CODE 0R8N4	ATM DWG # 8054	REVISION B
UNDER 6"	±.02	±.005		TREATMENT IRIDITE		SCALE NONE	MODEL # 250-442-XX		SHEET 1/1
6" - 12"	±.03	±.010		FINISH ATM STD. GRAY					
OVER 12"	±.06	±.015							