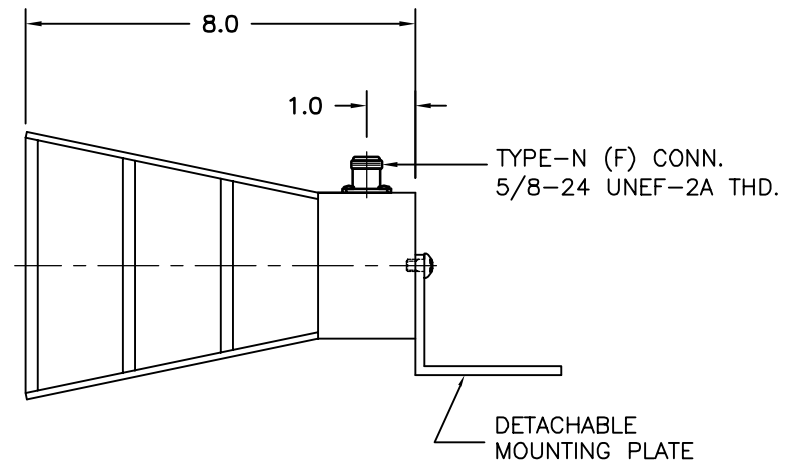
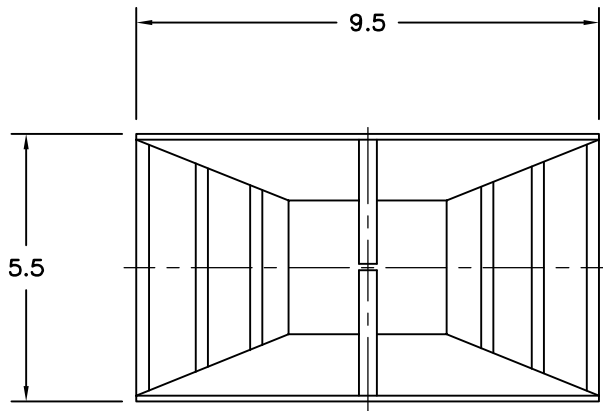
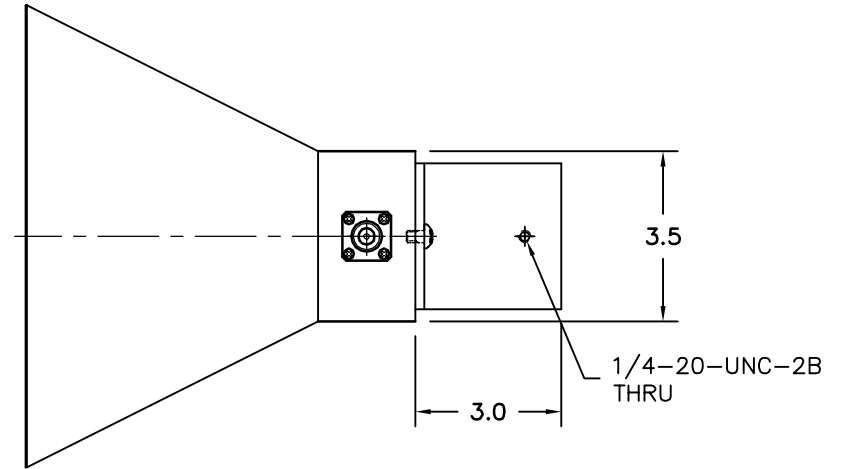


REV	AUTH	DATE	INITIAL RELEASE
-	RL	02/17/07	



MODEL SPECIFICATIONS

MECHANICAL

MODEL NUMBER(S): 07-18-440-NF
 MATERIAL: ALUM.
 BODY: STAINLESS STEEL
 CONNECTORS: 3.5 LBS.
 WEIGHT:

ELECTRICAL

FREQ. RANGE: 0.7 - 18.0 GHz
 POWER: 300 WATTS
 IMPEDANCE: 50 OHMS
 VSWR: 1.6 AVG.

THIRD ANGLE PROJECTION:		APPROVALS	DATE		ADVANCED TECHNICAL MATERIALS, INC. TEL: (631) 289-0363 FAX: (631) 289-0358 www.atmmicrowave.com		THE INFORMATION IN THIS DRAWING IS PROPRIETARY AND SHALL NOT BE USED OR DISCLOSED WITHOUT THE PRIOR WRITTEN CONSENT OF ATM, INC. DO NOT SCALE DWG.
UNLESS OTHERWISE NOTED, DIMENSIONS ARE IN INCHES, TOLERANCES ARE: FRACTIONS: ±1/64 ANGLES: ±1/2°		DRAWN RL	02/17/07		OUTLINE, HORN ANTENNA WIDE BAND		
BASIC DIMENSION	DECIMALS 2 PLACE 3 PLACE	CHKD.	APRVD.	SIZE A	CAGE CODE 0R8N4	ATM DWG # 8042	REVISION -
UNDER 6"	±.02 ±.005	MATERIAL -		SCALE 1 : 1	MODEL # SEE NOTES		SHEET 1/1
6" - 12"	±.03 ±.010	TREATMENT -					
OVER 12"	±.06 ±.015	FINISH -					